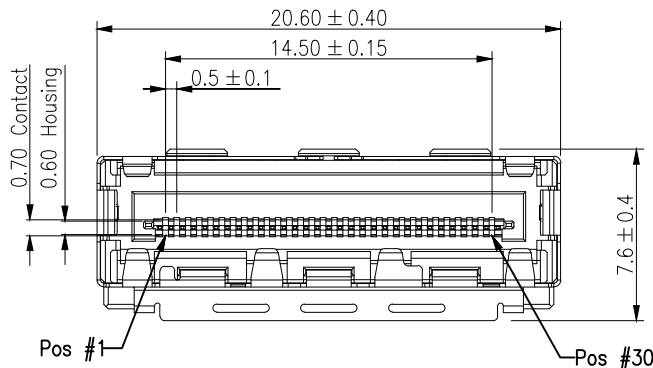
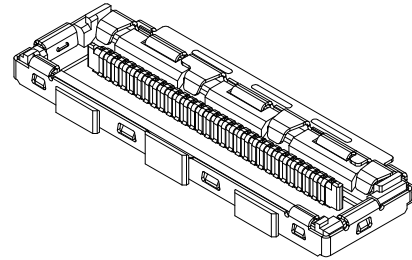
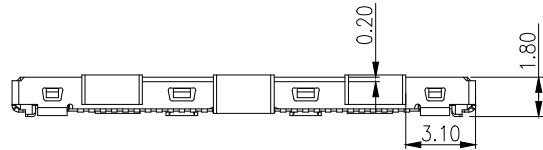


Mating condition section (Scale 30:1)



NOTES:

1. MATERIAL:

- 1.1 HOUSING: THERMOPLASTIC, HIGH TEMP., UL94V-0; COLOR:BLACK.
- 1.2 CONTACT: COPPER ALLOY
- 1.3 UPPER SHELL: COPPER ALLOY

2. FINISH:

- CONTACT: SEE ORDER INFORMATION
- UNDERPLATING: 50~100u" NICKEL OVERALL.

3. REFLOW SOLDER CAPABLE TO 260°C PER ACES SPEC.

4. SPEC. PLS. REFER TO PS-50398-xxxxx

5. PACKAGE PLS. REFER TO 50399-TB

6. PART NUMBER

50399-XXX X X-XXX

030.30Pin

PACKING

1.TUBE

METAL SHELL PLATING
001: SOLDERABLE NICKEL OVER ALL.
002: TIN PLATING OVER ALL.

CONTACT PLATING

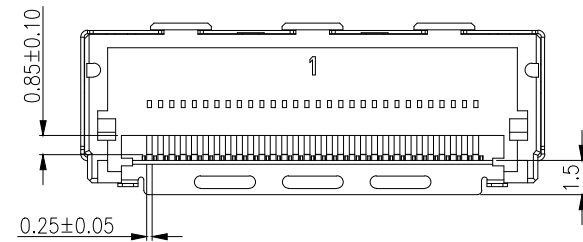
- 1: 3u" GOLD ON CONTACT FOR LEAD FREE
- T: 10u" GOLD ON CONTACT FOR LEAD FREE
- C: 15u" GOLD ON CONTACT FOR LEAD FREE
- B: 5u" GOLD ON CONTACT FOR LEAD FREE

7. APPLICABLE CABLE

- COAXIAL CABLE AWG#36~42
- DISCRETE WIRE AWG#32
- TEFLON WIRE AWG#34
- INSULATION O.D.: 0.4mm Max.

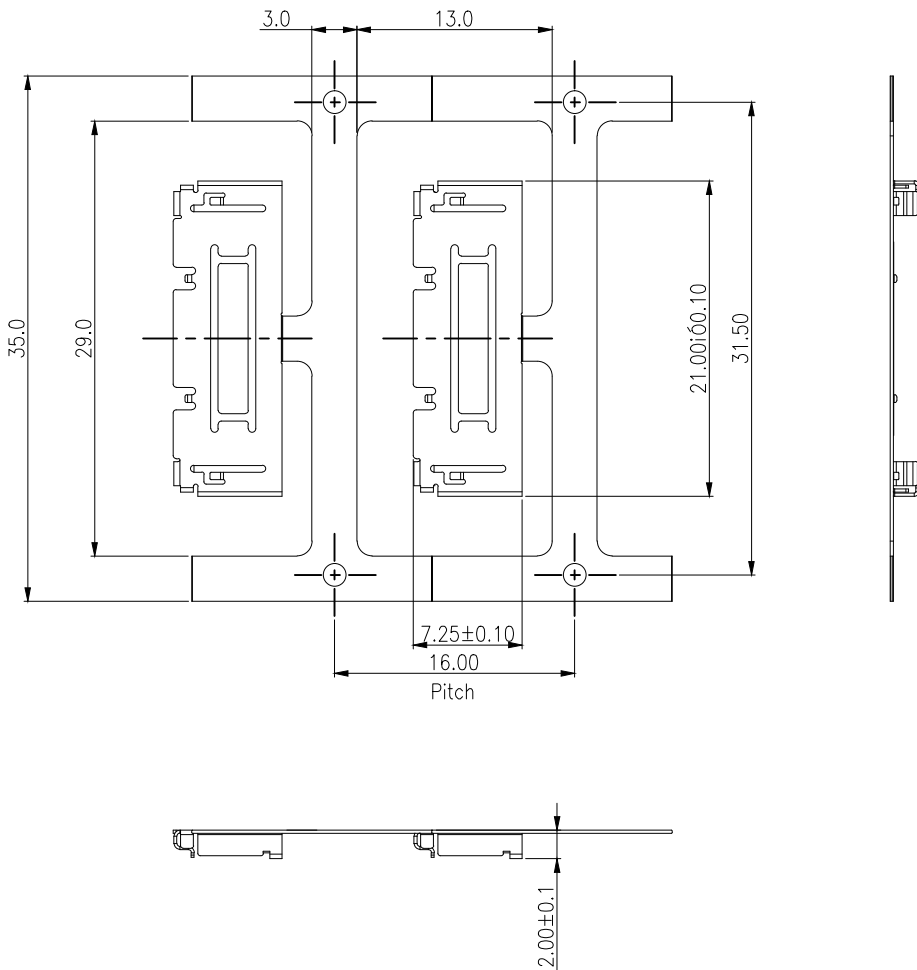
8. MATING CONNECTOR

P/N: 50406



30 Pin

一般公差 TOLERANCES X ±0.5 XX ±0.15 X ±0.25 XXX ±0.1 ANGLES ±2°		宏致電子股份有限公司 Aces Electronics Co.,Ltd.	
檢驗尺寸標示 SYMBOLS (M) (D) INDICATE CLASSIFICATION DIMENSION (M) MARK IS CRITICAL DIM. (D) MARK IS MAJOR DIM.	品名 (TITLE) 0.5 Pitch WT LVDS CONN. Plug Type	製圖 (DR) 23/06/28 HUYANG 審核 (CHKD) BRAVE	核准 (APPD) BRAVE
表面處理 (FINISH)	比例 (SCALE) 2:1	單位 (UNITS) mm	張數 (SHEET) 1 OF 6 圖號 (DWG NO.) 50399-XXXXX-XXX 尺寸 (SIZE) A4 版次 (REV) P

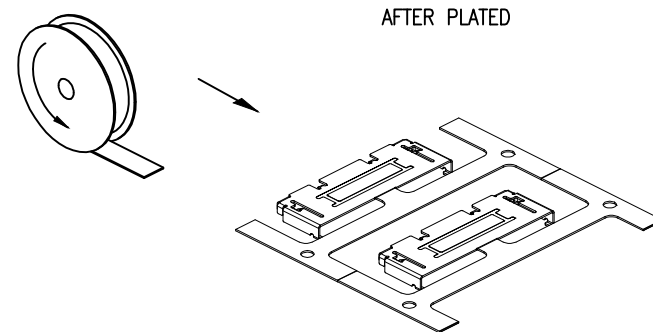


NOTES:

1. MATERIAL:SUS,THICKNESS 0.20±0.01mm
2. PLATING
 V.ALL UNDERPLATED 30 μ "~100 μ " DUCTILE NICKEL
 L.ALL UNDERPLATED 30 μ "~100 μ " DUCTILE NICKEL
 30-80 μ " TIN PLATED OVER ALL
3. PART NUMBER

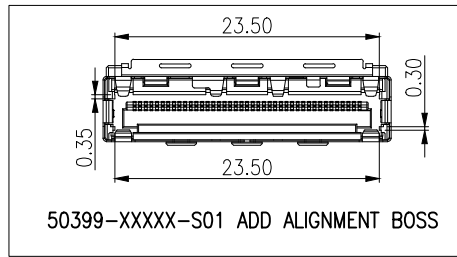
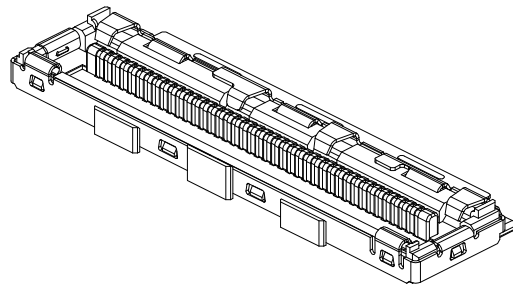
50407-M 8 X X -030

MATERIAL _____ PLATED
 5.SUS304 V.Solderable Nickel over all
 L:TIN PLATDE OVER ALL.



30 Pin

一般公差 TOLERANCES X. ±0.5 .XX ±0.15 .X ±0.25 .XXX ±0.1 ANGLES ±2°	宏致電子股份有限公司 Aces Electronics Co.,Ltd.	
檢驗尺寸標示 SYMBOLS \oplus \ominus INDICATE CLASSIFICATION DIMENSION \oplus MARK IS CRITICAL DIM. \ominus MARK IS MAJOR DIM.	品名 (TITLE) 0.5 Pitch WTB LVDS CONN. Plug Type	製圖 (DR) 23'/06/28 HUYANG 審核 (CHKD) BRAVE
	圖號 (DWG NO.) 50399-XXXXX-XXX	核准 (APPD) BRAVE
表面處理 (FINISH) _____	比例 (SCALE) 2:1	單位 (UNITS) mm
		張數 (SHEET) 2 OF 6
		尺寸 (SIZE) A4
		版次 (REV) P



NOTES:

- MATERIAL:
 - HOUSING: THERMOPLASTIC, HIGH TEMP., UL94V-0; COLOR:BLACK.
 - CONTACT: COPPER ALLOY
 - UPPER SHELL: COPPER ALLOY
- FINISH:

CONTACT: SEE ORDER INFORMATION.

UNDERPLATING: 50~100u" NICKEL OVERALL.

- REFLOW SOLDER CAPABLE TO 260°C PER ACES SPEC.
- SPEC. PLS. REFER TO PS-50398-XXXX
- PACKAGE PLS. REFER TO 50399-TB
- PART NUMBER

50399-XXX X X-XXX

040:40Pin

PACKING

1.TUBE

2.TRAY

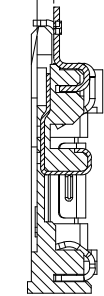
METAL SHELL PLATING
 001:SOLDERABLE NICKEL OVER ALL.
 002:TIN PLATDE OVER ALL.
 S01:ADD ALIGNMENT BOSS
 003: MATTE TIN PLATDE OVER ALL.

CONTACT PLATING
 1.3u" GOLD ON CONTACT FOR LEAD FREE
 T.10u" GOLD ON CONTACT FOR LEAD FREE
 C.15u" GOLD ON CONTACT FOR LEAD FREE
 B.5u" GOLD ON CONTACT FOR LEAD FREE

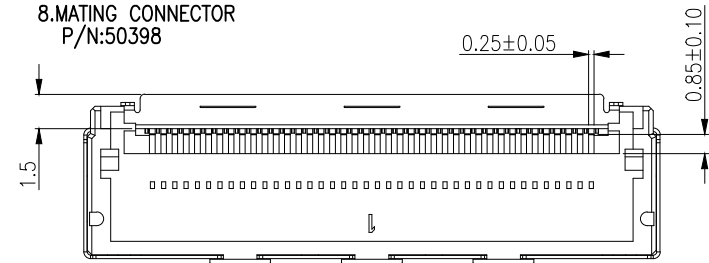
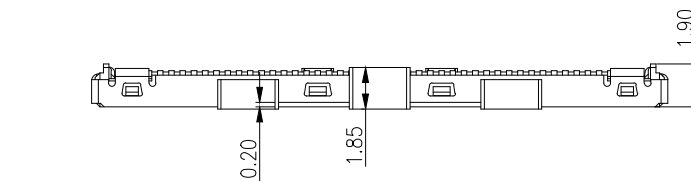
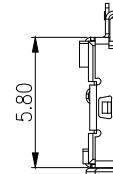
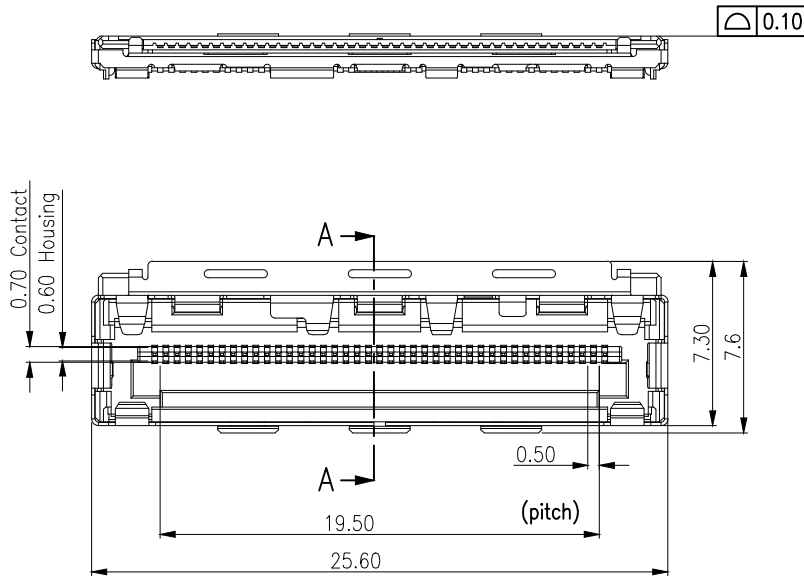
- APPLICABLE CABLE
 - COAXIAL CABLE AWG#36~42
 - DISCRETE WIRE AWG#32
 - TEFLON WIRE AWG#34
 - INSULATION O.D:0.4mm Max.

- MATING CONNECTOR
 P/N:50398

0.45±0.10

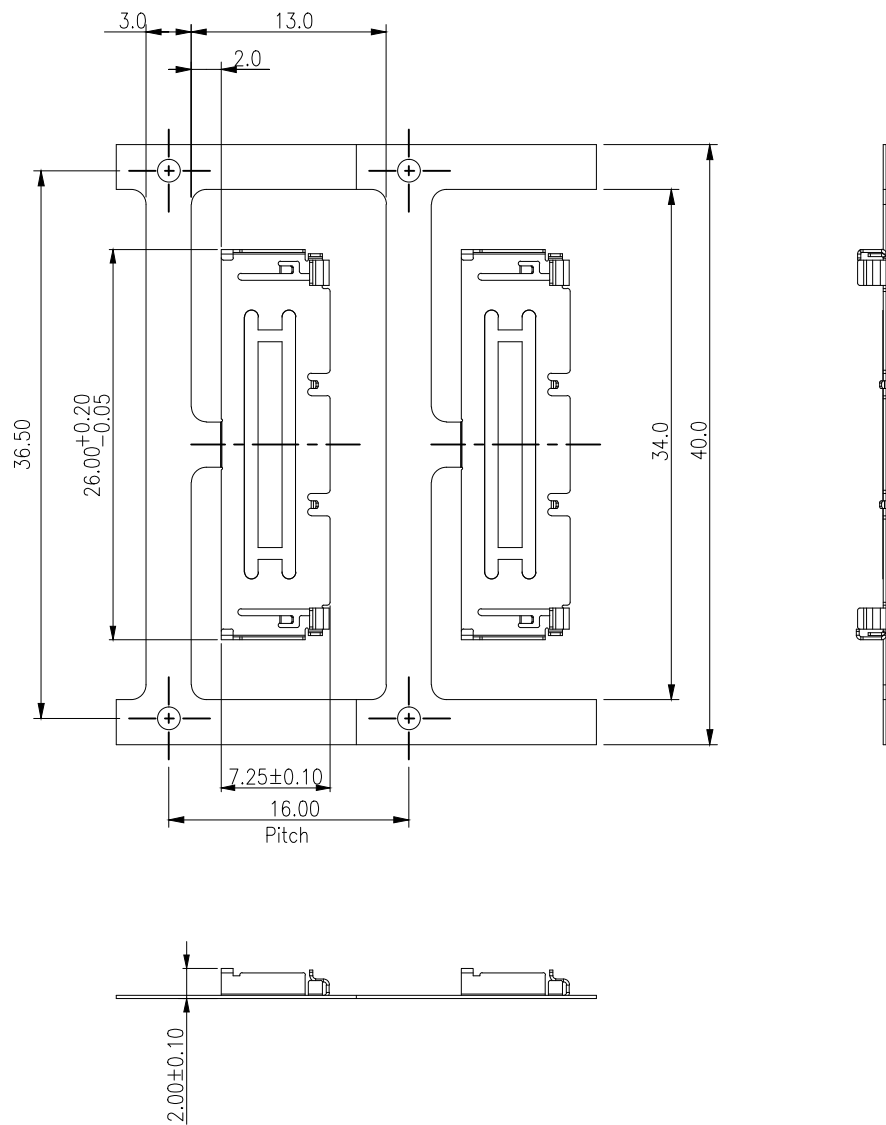


Section A-A
Scale 5



40 Pin

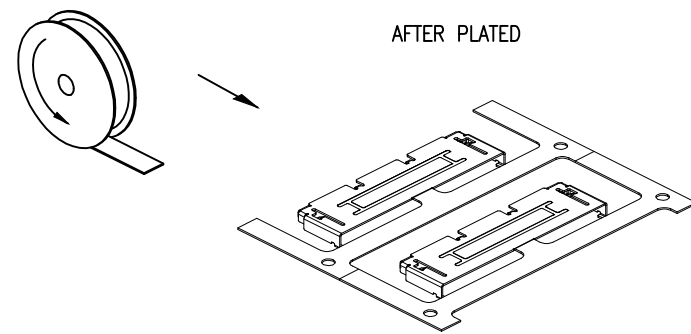
一般公差 TOLERANCES X ±0.5 XX ±0.15 X ±0.25 XXX ±0.1 ANGLES ±2°		宏致電子股份有限公司 Aces Electronics Co.,Ltd.	
檢驗尺寸標示 SYMBOLS (M) (D) INDICATE CLASSIFICATION DIMENSION (M) MARK IS CRITICAL DIM. (D) MARK IS MAJOR DIM.	品名 (TITLE) 0.5 Pitch WTB LVDS CONN. Plug Type	製圖 (DR) 23'/06/28 HUYANG 審核 (CHKD) BRAVE	核准 (APPD) BRAVE
表面處理 (FINISH)	比例 (SCALE) 2:1	單位 (UNITS) mm	圖號 (DWG NO.) 50399-XXXX-XXX 張數 (SHEET) 3 OF 6 尺寸 (SIZE) A4 版次 (REV) P



- NOTES:
- MATERIAL: SUS, THICKNESS 0.20 ± 0.01mm
 - PLATING
 - V. ALL UNDERPLATED 30u"~100u" DUCTILE NICKEL
 - L. ALL UNDERPLATED 30u"~100u" DUCTILE NICKEL
 - 30-80u" TIN PLATED ALL
 - N. ALL UNDERPLATED 30u"~100u" DUCTILE NICKEL
 - 80-120u" MATTE TIN PLATED ALL
 - PART NUMBER

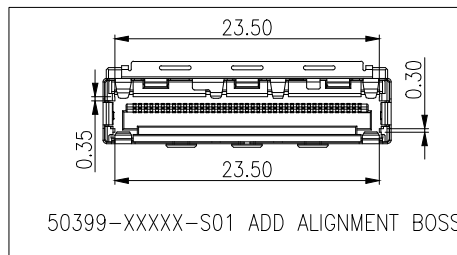
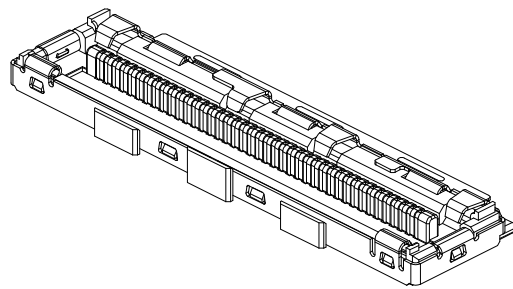
50399-M 8 X X -040

MATERIAL _____ PLATED _____
 5.SUS304 V.Solderable Nickel over all
 L.TIN PLATE OVER ALL.
 N.MATTE TIN



40 Pin

一般公差 TOLERANCES X. ±0.5 .XX ±0.15 .X ±0.25 .XXX ±0.1 ANGLES ±2°		宏致電子股份有限公司 Aces Electronics Co.,Ltd.	
檢驗尺寸標示 SYMBOLS ⊕ ⊗ INDICATE CLASSIFICATION DIMENSION ⊕ MARK IS CRITICAL DIM. ⊗ MARK IS MAJOR DIM.	品名 (TITLE) 0.5 Pitch WTB LVDS CONN. Plug Type	製圖 (DR) 23/06/28 HUYANG 審核 (CHKD) BRAVE	
	圖號 (DWG NO.) 50399-XXXXX-XXX	核准 (APPD) BRAVE	
表面處理 (FINISH) _____	比例 (SCALE) 2:1	單位 (UNITS) mm	張數 (SHEET) 4 OF 6 圖號 (DWG NO.) 50399-XXXXX-XXX
			尺寸 (SIZE) A4 版次 (REV) P



NOTES:

- MATERIAL:
 - HOUSING: THERMOPLASTIC, HIGH TEMP., UL94V-0; COLOR:BLACK.
 - CONTACT: COPPER ALLOY
 - UPPER SHELL: COPPER ALLOY
- FINISH:

CONTACT: SEE ORDER INFORMATION.

UNDERPLATING: 50~100u" NICKEL OVERALL.

- REFLOW SOLDER CAPABLE TO 260°C PER ACES SPEC.
- SPEC. PLS. REFER TO PS-50398-xxxx
- PACKAGE PLS. REFER TO 50399-TB
- PART NUMBER

50399-XXX X X-XXX

050:50Pin

PACKING

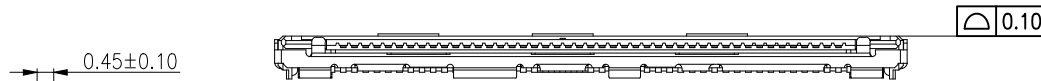
1.TUBE

2.TRAY

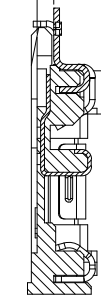
METAL SHELL PLATING
 001:SOLDERABLE NICKEL OVER ALL.
 002:TIN PLATDE OVER ALL.
 S01:ADD ALIGNMENT BOSS

CONTACT PLATING
 1.3u" GOLD ON CONTACT FOR LEAD FREE
 T.10u" GOLD ON CONTACT FOR LEAD FREE
 C.15u" GOLD ON CONTACT FOR LEAD FREE
 B.5u" GOLD ON CONTACT FOR LEAD FREE

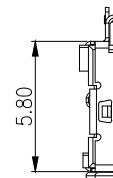
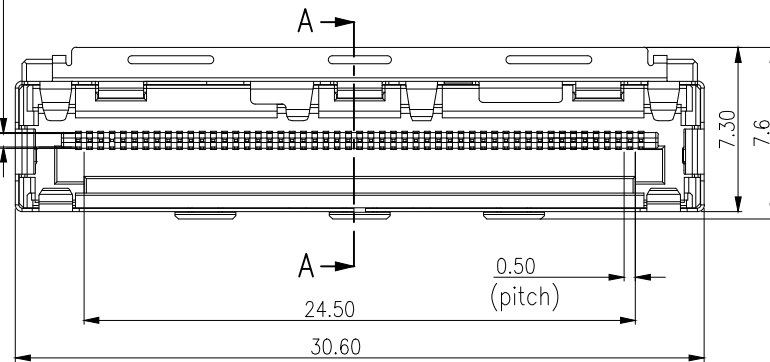
- APPLICABLE CABLE
 COAXIAL CABLE AWG#36~42
 DISCRETE WIRE AWG#32
 TEFLON WIRE AWG#34
 INSULATION O.D:0.4mm Max.
- MATING CONNECTOR
 P/N:50398



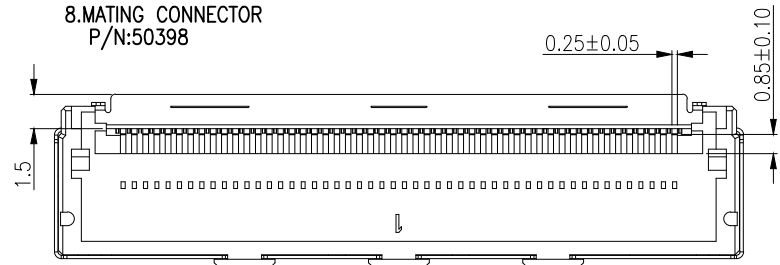
0.45±0.10



0.70 Contact
 0.60 Housing



5.80

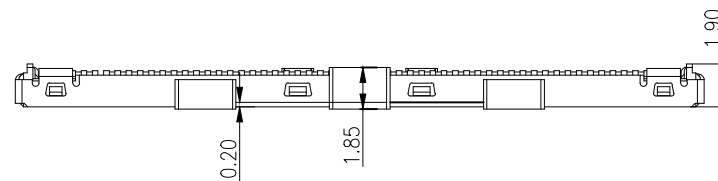


0.25±0.05

0.85±0.10

Section A-A
 Scale 5

50 Pin

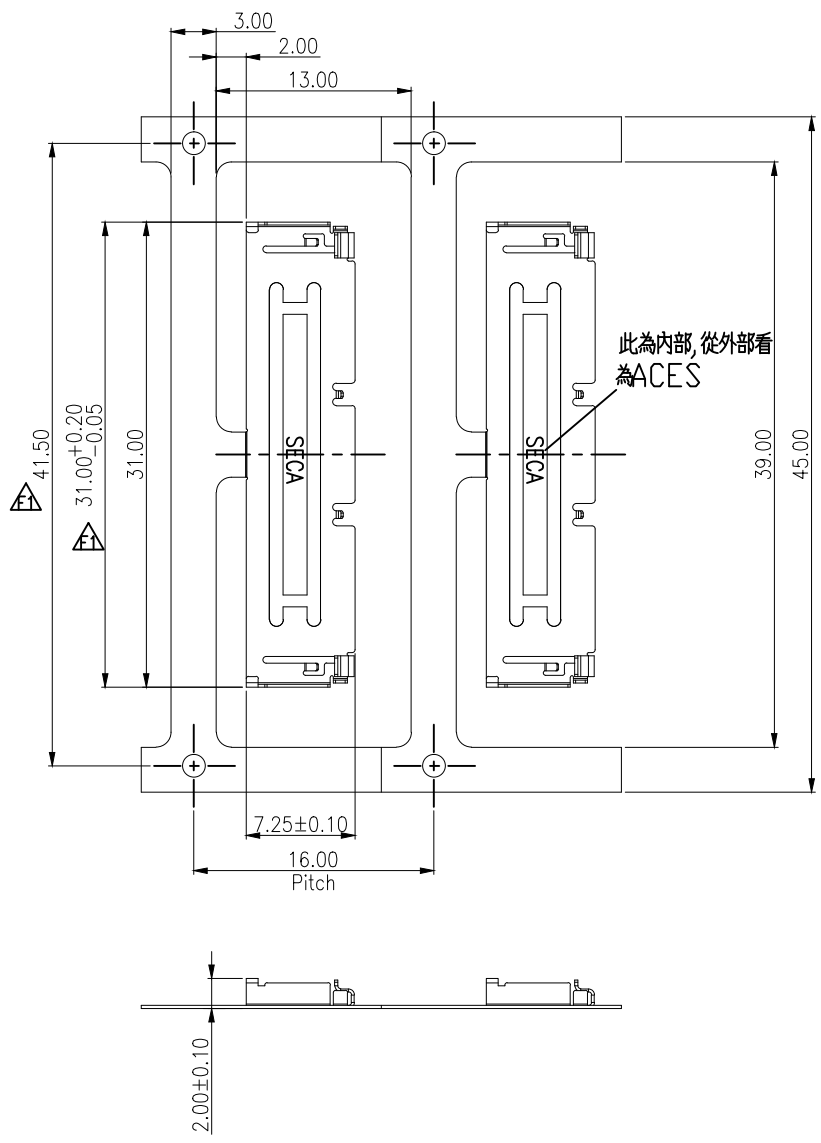


0.20

1.85

1.90

一般公差 TOLERANCES X ±0.5 .XX ±0.15 X ±0.25 .XXX ±0.1 ANGLES ±2°		宏致電子股份有限公司 Aces Electronics Co.,Ltd.	
檢驗尺寸標示 SYMBOLS (M) (D) INDICATE CLASSIFICATION DIMENSION (M) MARK IS CRITICAL DIM. (D) MARK IS MAJOR DIM.	品名 (TITLE) 0.5 Pitch WTB LVDS CONN. Plug Type	製圖 (DR) 23/06/28 HUYANG 審核 (CHKD) BRAVE	核准 (APPD) BRAVE
表面處理 (FINISH)	比例 (SCALE) 2:1	單位 (UNITS) mm	圖號 (DWG NO.) 50399-XXXXX-XXX 張數 (SHEET) 5 OF 6 尺寸 (SIZE) A4 版次 (REV) P



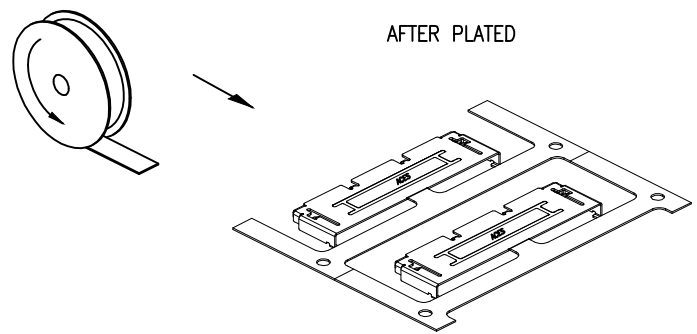
- NOTES:
- MATERIAL:SUS,THICKNESS 0.20±0.01mm
 - PLATING
 V.ALL UNDERPLATED 30u"~100u" DUCTILE NICKEL
 L.ALL UNDERPLATED 30"~100u" DUCTILE NICKEL
 30-80u" TIN PLATED ALL
 - PART NUMBER

50399-M X X X -050

8:NONE
 A:Logo(ACES)

MATERIAL 5.SUS304

PLATED
 V.Solderable Nickel over all
 L:TIN PLATDE OVER ALL.



50 Pin

一般公差 TOLERANCES X ±0.5 XX ±0.15 X ±0.25 XXX ±0.1 ANGLES ±2°	宏致電子股份有限公司 Aces Electronics Co.,Ltd.	
檢驗尺寸標示 SYMBOLS ⊕ ⊗ INDICATE CLASSIFICATION DIMENSION ⊕ MARK IS CRITICAL DIM. ⊗ MARK IS MAJOR DIM.	品名 (TITLE) 0.5 Pitch WTB LVDS CONN. Plug Type	製圖 (DR) 23/06/28 HUYANG 審核 (CHKD) BRAVE 核准 (APPD) BRAVE
表面處理 (FINISH)	圖號 (DWG NO.) 50399-XXXX-XXX	張數 (SHEET) 6 OF 6 比例 (SCALE) 2:1 單位 (UNITS) mm
		尺寸 (SIZE) A4 頁數 (REV) P